

NEW ASHFORD FIRE DEPT.

TANKER

TID NO. 13009



BODY

- Bolted Painted Stainless Steel Body
- ROM Painted Roll Up Doors
- Above Compartment Hard Suction Storage
- Rear Mounted Tow Hooks

TANK

- UPF 2300 Gallon Tank
- ICI SL Plus Tank Gauge
- Syntex 2500 Gallon Portable Tank
- Zico Hydraulic Porta-Tank Rack
- 2.5" and 4" Rear Direct Tank Fills
- Manual Swivel Rear Dump Chute

ELECTRICAL

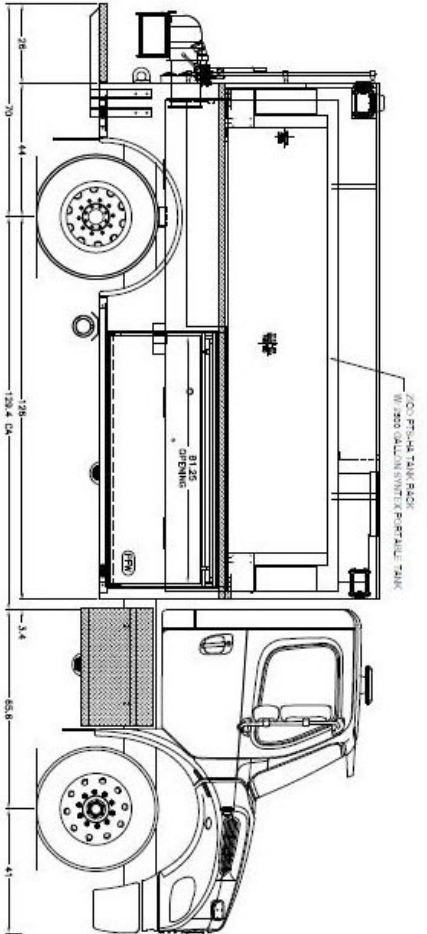
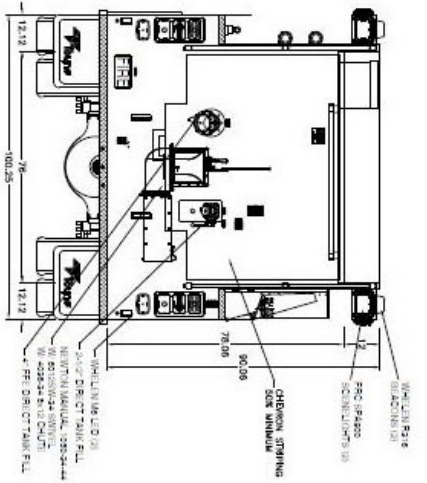
- Whelen Warning Lighting
- FRC LED 900-Q65 Scene Lighting
- ILI LED Strip Compartment Lighting

CHASSIS

- Freightliner M2 106 2 Door
- Cummins ISL9 360 Engine
- 3000 EVS Transmission
- Front Mounted Tow Hooks

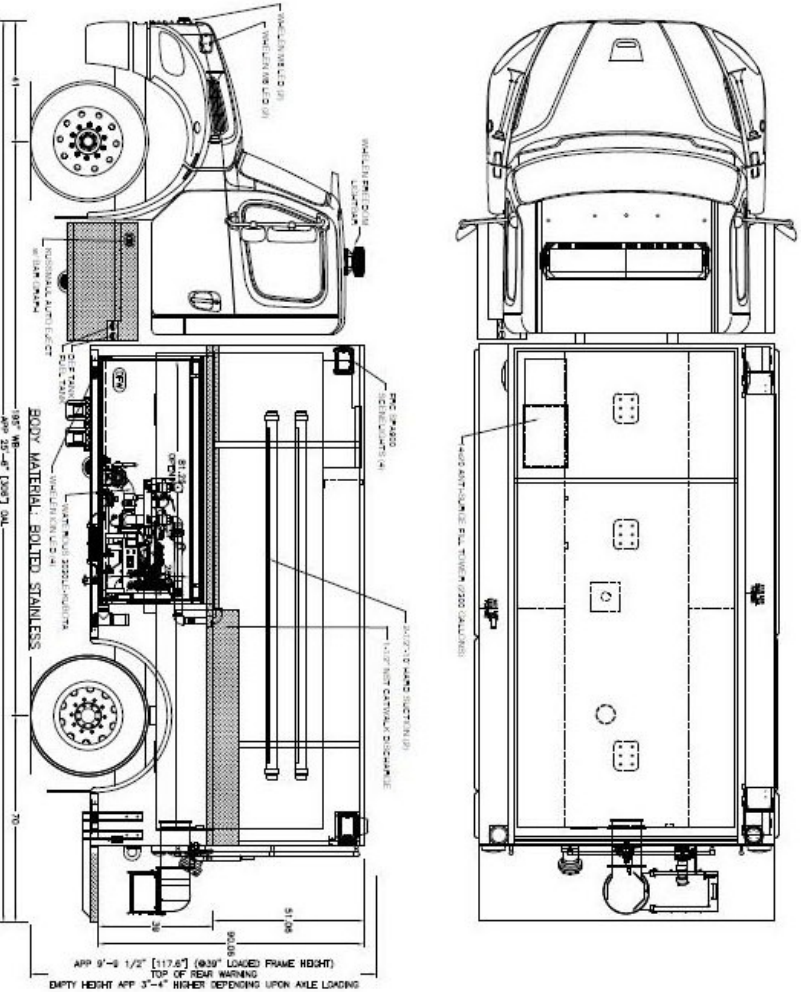
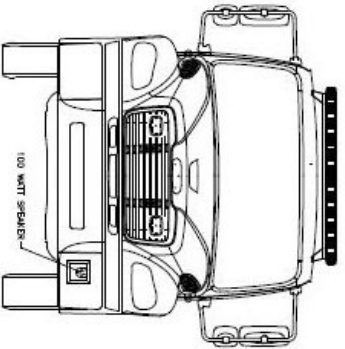
PUMP

- Waterous PB 3030LE Pump
- Digital Display Pressure Governor
- 1.75" Crosslay
- Left side: 2.5" Discharge



TREADBRITE TEXTURE NOT SHOWN IN TOP VIEW

REAR END CLEARANCE HEIGHTS		FRONT END CLEARANCE HEIGHTS	
COMPL.	HEIGHT	COMPL.	HEIGHT
0	15	20	20
10	18	25	25
20	21	30	30
30	24	35	35
40	27	40	40
50	30	45	45
60	33	50	50
70	36	55	55
80	39	60	60
90	42	65	65
100	45	70	70
110	48	75	75
120	51	80	80
130	54	85	85
140	57	90	90
150	60	95	95
160	63	100	100
170	66	105	105
180	69	110	110
190	72	115	115
200	75	120	120



NOTE:
DIMENSIONS SHOWN ARE APPROXIMATE AND ARE SUBJECT TO MINOR CHANGE AS MAY BE FOUND NECESSARY DURING CONSTRUCTION. MINOR DETAILS MAY NOT BE SHOWN. THIS DRAWING AND THE LISTED SPECIFICATIONS PROVIDED BY TONYE, THE WRITTEN SPECIFICATIONS SHALL PREVAIL.

ORIGINAL DRAWING	24NOV020	CHASSIS:	FREIGHTLINER M2 106 2DOOR 4X2	SCALE:	1:66	SHEET:	A
ISR	24NOV020	WB-CAL:	195-129.4"-43" D17	CITY:	NEW ASHFORD		
REVIEW	09FEB01	BODY MATL:	BOLTED STAINLESS STEEL	STATE:	MA		
AS BUILT 4U	09JUN01	PUMP:	WATERBOUS 90SOLE	DLR:	VRS		
		TANK:	2300 UPE POLY-TANK III	CAD:	GROSSMAN		
		FOAM SYSTEM:	N/A	DATE:	24 NOVEMBER 2000		
		GENERATOR:	N/A	FILE:	NEWASHFORD20-0-A		

BREDA, IA 51436
800-648-3358
WWW.TOYNE.COM

Tonye
Made To Order For You.

NEW ASHFORD
CUSTOM TRANSPORTER